



Date: _____ Type: _____

Firm Name: _____

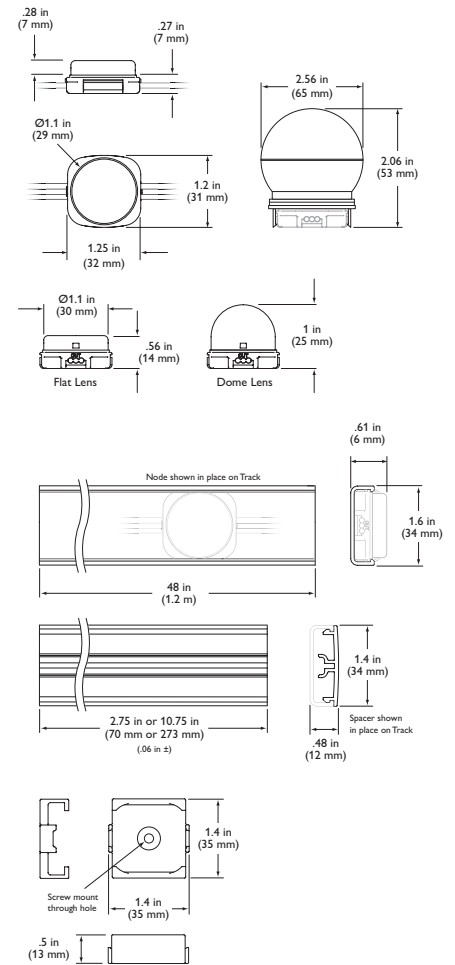
Project: _____

iColor Flex SLX

Flexible strands of large, full-color LED nodes

iColor Flex™ SLX is an affordable and versatile strand of 50 large, individually controllable, full-color LED nodes. The flexible form factor accommodates two- and three-dimensional configurations, while bright, full-color nodes support long-distance viewing for architectural accent and perimeter lighting, large-scale signage, and building-covering video displays.

- Affordable, color-changing light — Each iColor Flex SLX strand consists of 50 large, individually controllable, full-color LED nodes.
- Multiple lens options — Clear flat and translucent dome lenses are standard. Optional marquee lenses, available in clear, translucent, and semi-frosted, snap onto flat-lens nodes to create the appearance of bulbs on a traditional theatre marquee. You can mount marquee lenses in front of a substrate, or directly to mounted strands.
- Adaptable mounting — iColor Flex SLX strands can be mounted directly to a surface like traditional string lights. Optional mounting tracks ensure straight linear runs, while snap-on spacers hide cabling and mounting hardware between nodes for a clean, finished look. Single node mounts can be positioned individually to provide anchor points in installations with uneven node spacing or complex geometries.
- Standard and custom lengths and node spacing — iColor Flex SLX strands are available with standard on-center node spacing of 4 in (102 mm) or 12 in (305 mm). Custom on-center node spacing from 3 in (76 mm) to 12 in (305 mm) can support virtually any lighting or video design. Standard 50-node lengths can be shortened in the field. Custom node lengths are also available.
- Industry-leading controls — iColor Flex SLX works seamlessly with the complete Philips line of controllers, including Video System Manager Pro and Light System Manager, as well as third-party DMX controllers.



- Custom housing options — Custom housing colors are available in addition to standard white and black.
- Outdoor rated — Fully sealed for maximum fixture life and IP66-rated for outdoor applications.

For detailed product information, please refer to the iColor Flex SLX Product Guide at www.colorkinetics.com/ls/rgb/flexslx/



Specifications

Due to continuous improvements and innovations, specifications may change without notice.

Item	Specification	Clear Flat Lens	Translucent Dome Lens
Output	Color Range	16.7 million additive RGB colors; continuously variable intensity	
	Lumen Maintenance‡	50,000+ hours L50 @ 50° C (full output)	
Electrical	Input Voltage	12VDC	
	Power Consumption	1 W max. per node at full output, steady state	
Control	Interface	PDS-60ca 12V (Pre-programmed or DMX / Ethernet) sPDS-480ca 12V (Ethernet)	
	Control System	Philips full range of controllers, including Video System Manager Pro and Light System Manager, or third-party DMX controllers	
Physical	Node Dimensions (Height x Width x Depth)	1.2 x 1.25 x .56 in (31 x 32 x 14 mm)	1.2 x 1.25 x 1 in (31 x 32 x 25 mm)
	Weight	4.6 lb (2.1 kg) 50-node strand, 4 in on-center node spacing	
	Housing	White or black polycarbonate	
	Lens	Clear or translucent plastic	
	Fixture Connections	4-pin power / data connector	
	Operating Temperature	-4° – 122° F (-20° – 50° C) Operating -4° – 122° F (-20° – 50° C) Startup -22° – 185° F (-30° – 85° C) Storage	
	Humidity	0 – 95%, non-condensing	
	Maximum Fixtures Per Power / Data Supply	sPDS-480ca 12V: 8 strands PDS-60ca 12V : 1 strand	
Certification and Safety	Certification	UL / cUL, CE	
	LED Class	Class 2 LED product	
	Environment	Dry / Damp / Wet Location, IP66	

‡ L50 = 50% maintenance of lumen output (when light output drops below 50% of initial output). Ambient temperature specified



CHROMACORE CK TECHNOLOGY | CHROMASIC™ CK TECHNOLOGY | OPTIBIN® CK TECHNOLOGY

Photometrics

Brightness Per Node

Lensing	On-Axis Candela	Viewing Angle
Clear flat lens	1.9	118°

Luminance of 1 m² Grid

All figures in nits (cd / m²)	On-Center Node Spacing		
	3 in	4 in	12 in
Clear flat lens	321	154	17

Please visit www.colorkinetics.com/support/ies/ for additional photometrics.



Philips Color Kinetics
3 Burlington Woods Drive
Burlington, Massachusetts 01803 USA
Tel 888.385.5742
Tel 617.423.9999
Fax 617.423.9998
www.colorkinetics.com

Fixtures and Accessories

Item	Type	Item Number	Philips 12NC
iColor Flex SLX 4 in on-center node spacing	White	Clear Flat Lens	101-000053-01 910503700037
		Translucent Dome Lens	101-000053-00 910503700036
	Black	Clear Flat Lens	101-000055-01 910503700041
		Translucent Dome Lens	101-000055-00 910503700040
iColor Flex SLX 12 in on-center node spacing	White	Clear Flat Lens	101-000054-01 910503700039
		Translucent Dome Lens	101-000054-00 910503700038
	Black	Clear Flat Lens	101-000056-01 910503700043
		Translucent Dome Lens	101-000056-00 910503700042
Marquee Lens Kits Qty 50	White	Clear	999-000373-00 822221400077
	Black	Clear	999-000373-04 822221400081
	White	Semi-frosted	999-000373-01 822221400078
	Black	Semi-frosted	999-000373-03 822221400080
	White	Translucent	999-000373-02 822221400079
	Black	Translucent	999-000373-05 822221400082
Mounting Track Qty 1	White		101-000057-00 910503700044
	Black	4 ft (1.2 m)	101-000057-01 910503700045
	Clear		101-000057-02 910503700366
Spacers Qty 50	White	4 in (102 mm)	101-000059-00 910503700048
	Black	4 in (102 mm)	101-000061-00 910503700052
	White	12 in (305 mm)	101-000059-01 910503700048
	Black	12 in (305 mm)	101-000061-01 910503700053
Single Node Mounts Qty 50	White		101-000058-00 910503700046
	Black		101-000058-01 910503700047
PDS-60ca 12V	Pre-programmed	109-000020-00	910503700104
	DMX / Ethernet	109-000020-03	910503700105
sPDS-480ca 12V	Ethernet	109-000023-00	910503700108
Video System Manager Pro	Ethernet, DVI Interface	103-000022-00	910503700325
	Ethernet, Composite Interface	103-000022-01	910503700455
Light System Manager	Ethernet	103-000015-02	910503700221
iPlayer 3	DMX, North America Power Cord	103-000019-00	910403327101
	DMX, Europe Power Cord	103-000019-01	910503700392
ColorDial Pro	Ethernet	103-000025-00	910503700790

Use Item Number when ordering in North America.

iColor Flex SLX is part of a complete system which includes strands and:

- One or more power / data supplies
- Optional mounting tracks, spacers, or single node mounts
- Any Philips controller, including Video System Manager Pro and Light System Manager, or a third-party DMX controller

For detailed product information, please refer to the iColor Flex SLX Product Guide at www.colorkinetics.com/ls/rgb/flexslx/

Copyright © 2009 – 2010 Philips Solid-State Lighting Solutions, Inc. All rights reserved. Chromacore, Chromasic, CK, the CK logo, Color Kinetics, the Color Kinetics logo, ColorBlast, ColorBlaze, ColorBurst, ColorGraze, ColorPlay, ColorReach, iV Reach, eV Reach, DIMand, EssentialWhite, eW, iColor, iColor Cove, IntelliWhite, iW, iPlayer, Optibin, and Powercore are either registered trademarks or trademarks of Philips Solid-State Lighting Solutions, Inc. in the United States and / or other countries. All other brand or product names are trademarks or registered trademarks of their respective owners. Due to continuous improvements and innovations, specifications may change without notice.

DAS-000038-01 R01 02-10